

### Handle series FG8

Functional handle in allmetal design with illuminated push buttons for higher switching currents.

**Material and surface:**

Tube ø 35 x 2 mm of stainless steel, material no. 1.4301; fine ground. Handle shanks and housing of push buttons made of aluminium, vibratory ground and natural colour anodized with dull bright finish.

**Function elements:**

2 push buttons with micro-switch up to 1 A and red resp. green illuminated ring.

Type FG8-05 with additional emergency stop (2 NC contacts).

**Connection:**

8 resp. 12-pole, coupling with 10 m ready made cable available as accessories.

**Protection class:**

IP 65 (with the coupling attached).

**Note:**

Other handle lengths as well as illuminated emergency stop on request.



Typ FG8-02.R





Typ FG8-05.R  
with emergency stop



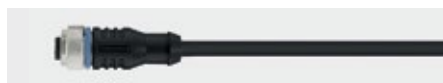
Typ FG8-00.L  
Counter-handle



Spinning Center

	Typ FG8-02 with 2 push buttons	FG8-05	Typ FG8-00
	without emergency stop	with emergency stop	Counter-handle without switch element
<b>Version of handle shanks</b>	Order no.	Order no.	Order no.
left 	FG8-02.L350.11	FG8-05.L350.11	FG8-00.350.11
right 	FG8-02.R350.11	FG8-05.R350.11	FG8-00.350.11

**Handle accessories**  
Coupling with cable



8-pole  
(M12 x 1)

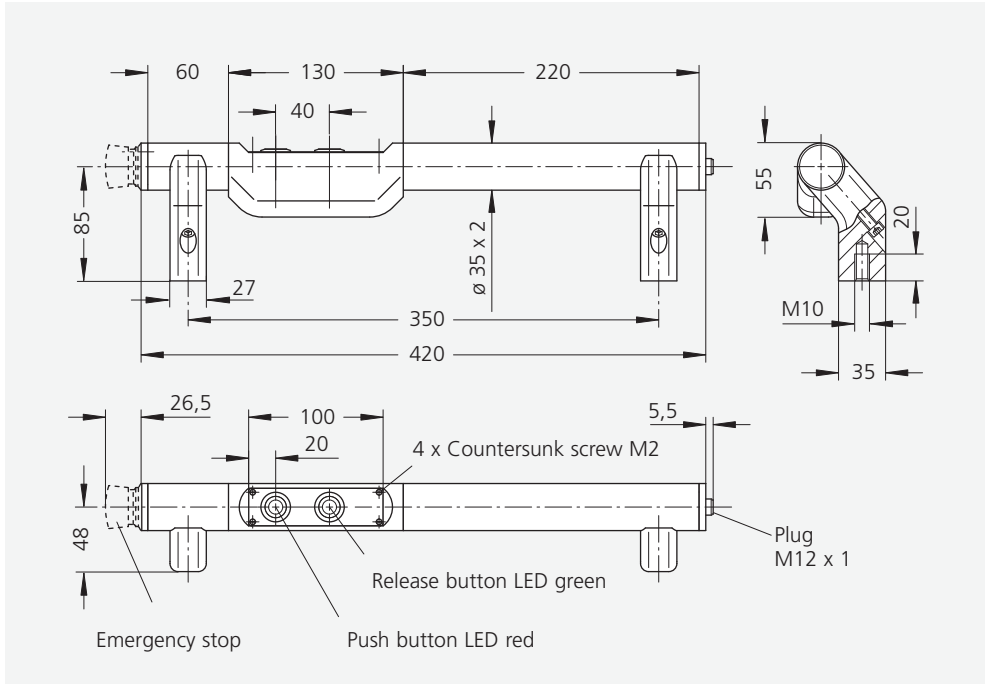
12-pole  
(M12 x 1)

L	Order no.	Order no.
10 m	FZ-KS.G08.10	FZ-KS.G12.10



Connection





### Technical data

Typ	FG8-02	FG8-05
	with 2 push buttons	add. emergency stop
(2 Öffner) <b>Emergency stop</b> (2 NC contacts)	without	
<b>Push button LED red</b> (1 change-over contact)		
<b>Push button LED green</b> (1 NO contact)		
<b>Emergency stop</b>	-	1-42 V AC/DC 100 mA
<b>Push buttons</b>	24 V AC max. 1 A	
<b>Operating voltage LED</b>	24 V DC (12 V DC optional)	
<b>Connection type</b>	8-pole M12 x 1	12-pole M12 x 1
<b>Connector assignment</b> (Plug side view)		



Door solenoid tumbler see page 304-305.