

Rohde

FG

Handle series FG5

Material and surface:

Tube \varnothing 30 x 1.5 mm of aluminium AlMgSi 0.5; black powder coated with fine structure. Tube holder and cap of polyamide PA 6, black with fine structure.

Function element:

Emergency stop.

FG5-20:

2 NC contacts, unlighted.

FG5-21:

1 NC contact and illumination by red LED.

Connecting:

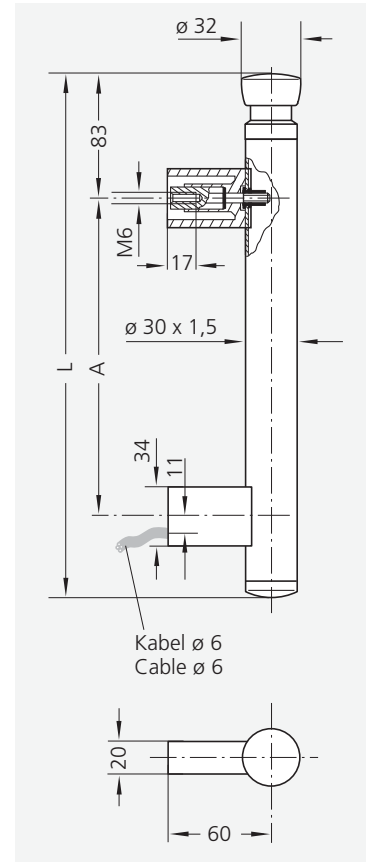
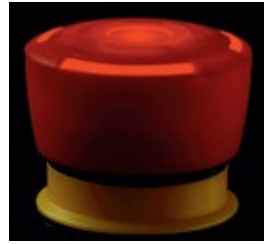
Connecting cable 5 m lead out of the tube holder.

Protection class:

The protection class of the functional handle conforms to IP 65.

Note:

Other handle lengths on request.



Typ FG5-20

without illumination

Typ FG5-21

with illumination

A	L	Order no.	Order no.
200	342	FG5-20.200.54	FG5-21.200.54
300	442	FG5-20.300.54	FG5-21.300.54
400	542	FG5-20.400.54	FG5-21.400.54



Door solenoid tumbler see page 304-305.



Technical data

Typ	FG5-20	FG5-21
Connection		
Switching voltage	1-42 V AC/DC	
Switching current	0,01-100 mA	
Operating voltage LED	-	5-30 V DC