

Rohde

FG

Handle Series FG11

Manageable functional handle.

Material and surface:
Polyamide PA 6, black with fine structure.

Function elements:
Type 1: Flat push button with red or green LED.

Type 2: Raised push button with red or green LED (convenient in case of a longer duration of activation).

Connection A:
8-pin connector at the mounting surface of the handle. Coupling with 10 m ready made cable available as accessories.

Connection B:
The 5 m connection cable leading out of the mounting surface of the handle shank.

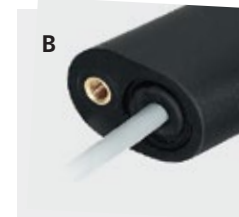
Protection class:
IP 65 (for version A with screwed coupling).




Typ




Connection



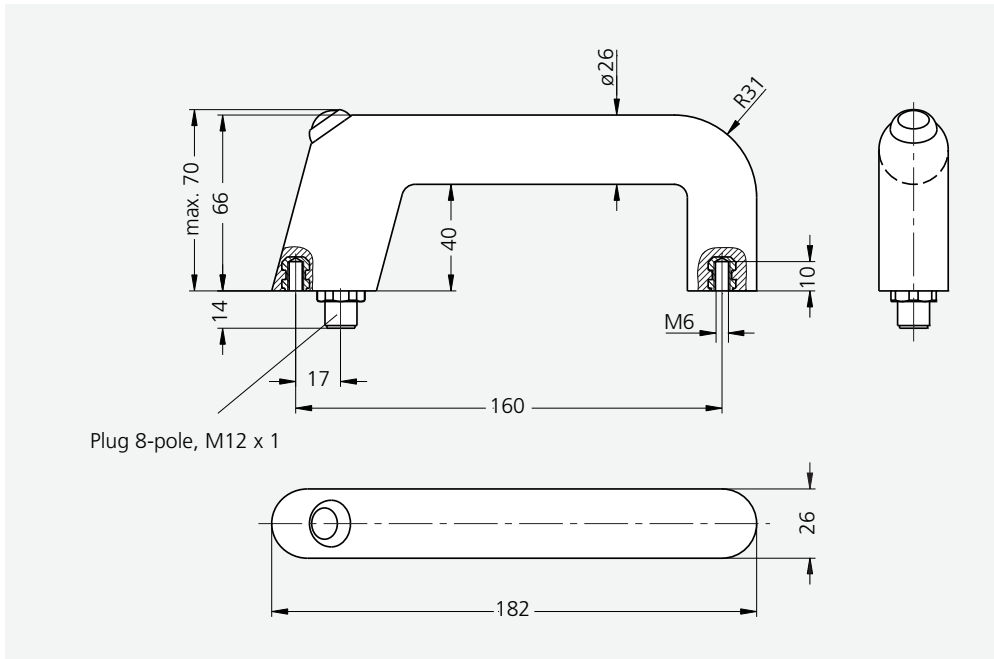
| | | Connection | | |
|----------|-------|------------|---------------------------------------------------------------------------------------|-----------------|
| | | A Plug |  | B Cable |
| Typ | | A | Order no. | Order no. |
| 1 | green | 160 | FG11-3SG.160.84 | FG11-3KG.160.84 |
| | red | 160 | FG11-3SR.160.84 | FG11-3KR.160.84 |
| 2 | green | 160 | FG11-4SG.160.84 | FG11-4KG.160.84 |
| | red | 160 | FG11-4SR.160.84 | FG11-4KR.160.84 |

Handle accessories

Coupling with cable 8-pole (M12 x 1)

| | L | Order no. |
|--------------------------------------------------------------------------------------|------|--------------|
|  | 10 m | FZ-KS.G08.10 |





Technical data

FG11

| | |
|--------------------------------------------------|----------------------------|
| Push button, LED (1 NC + 1 NO contact) | |
| Push button | 24 V AC/DC max. 1 A |
| Operating voltage LED | 24 V DC (12 V DC optional) |
| Connection type | 8-pole, M12 x 1 |
| Connector assignment (Plug side view) | |
| Mounting cutout | |



Door solenoid tumbler see page 304–305.

